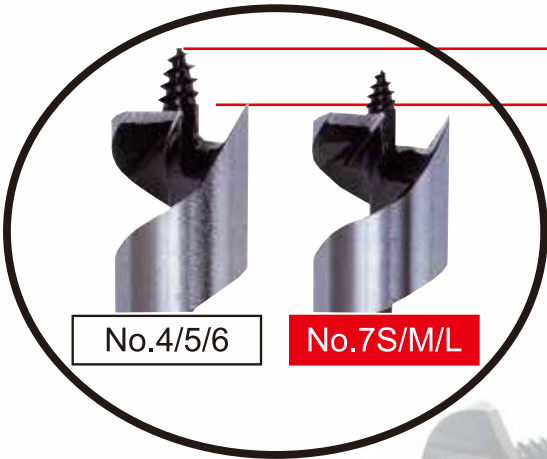


No.7S/7M/7L

# Impact Bit



What is advantage **VS** No.4/5/6



- ① Smaller lead screw
- ② Shorter spur

**Reduce resistance**



Energy Saving **20%UP!**

**High durability shank by heat tretment.**



All sizes  
**6.35mm**  
 Hexagon Shank  
 for impact driver

From 1-1/16"  
Double spur and  
double cutting lips type

Produced by:STAR-M CORPORATION

722-47 Higashi Hoda Bessho Machi, Miki City, Hyogo Pref., Japan 673-0444

Tel: +81-794-823411 Fax: +81-794-830373

URL: [www.starminfo.com](http://www.starminfo.com)

